

# TAYLOR CRANE & RIGGING INC. - IRONTIME SALES INC.

VERSA-LIFT LOAD CHARTS, SPECIFICATION SHEETS & FLOOR LOADINGS



**Machinery Installation • Plant Relocation • Millwright • Transportation • Craning • Equipment Rental • Warehousing**

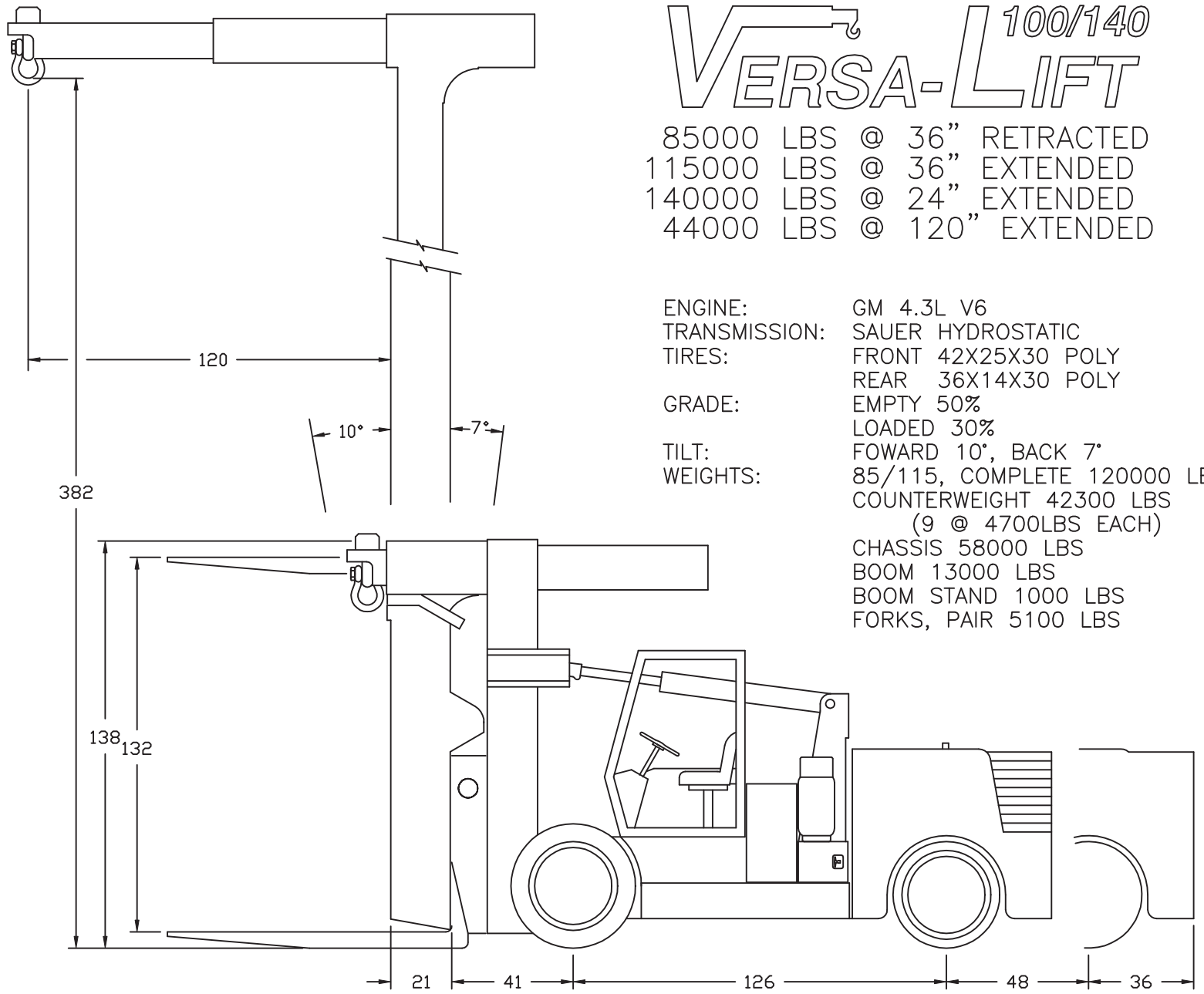
Ph: 620-251-1530 Fax: 620-251-0700 1211 W 12<sup>th</sup> Coffeyville, KS 67337 - 11710 E Tecumseh Tulsa, OK 74116 [www.taylorcrane.com](http://www.taylorcrane.com) [tcr@taylorcrane.com](mailto:tcr@taylorcrane.com)



# VERSA-LIFT<sup>100/140</sup>

85000 LBS @ 36" RETRACTED  
 115000 LBS @ 36" EXTENDED  
 140000 LBS @ 24" EXTENDED  
 44000 LBS @ 120" EXTENDED

ENGINE: GM 4.3L V6  
 TRANSMISSION: SAUER HYDROSTATIC  
 TIRES: FRONT 42X25X30 POLY  
 REAR 36X14X30 POLY  
 GRADE: EMPTY 50%  
 LOADED 30%  
 TILT: FOWARD 10°, BACK 7°  
 WEIGHTS: 85/115, COMPLETE 120000 LBS  
 COUNTERWEIGHT 42300 LBS  
 (9 @ 4700LBS EACH)  
 CHASSIS 58000 LBS  
 BOOM 13000 LBS  
 BOOM STAND 1000 LBS  
 FORKS, PAIR 5100 LBS



**CUSTOM MOBILE EQUIPMENT, INC.**

439 EAST HIGH STREET, BALDWIN CITY, KS 66006 (785) 594-7474 FAX (785) 594-7475

## WEIGHTS AND FLOOR LOADINGS

### VERSA-LIFT 100/140 WITH BOOM AND FORKS

FRONT TRACK-	71"
REAR TRACK -	82"
OVERALL WIDTH -	96"
WHEELBASE EXTENDS -	126" TO 174"

### WEIGHTS

		FRAME OUT	FRAME IN
	NO LOAD	(115,000# LOAD)	(85,000# LOAD)
WEIGHT ON DRIVE AXLE -	55,600#	221,500#	192,600#
WEIGHT ON STEER AXLE -	64,400#	13,500#	12,400#
TOTAL WEIGHT -	120,000#	235,000#	205,000#

### FLOOR LOADING WITH POLY TIRES

	GROUND PRESSURE	FOOTPRINT (per wheel)
FLOOR LOADING - EMPTY	398 psi ON STEER	80.90 square inches each
FLOOR LOADING - LOADED		
115,000# AT 36" LOAD CENTER	390 psi ON DRIVE	283.97 square inches each

## 322B62'Versa-Lift with 0 Counterweight Slabs

Slab Weight (lbs)  
**4700**

Number of Slabs  
**0**

Standard Wheel Base  
**126**

		<b>Lift Capacities w/Forks Only (lbs)</b>				
		Counter Weight Extension (in)				
		0	12	24	36	48
<b>Load Center From Fork Face (in)</b>	24	36100	39500	43000	46400	49800
	36	30500	33400	36300	39200	42100
	48	26400	28900	31400	33900	36400
	60	23200	25400	27600	29900	32100
	72	20800	22700	24700	26700	28700
	84	18800	20600	22300	24100	25900

		<b>Lift Capacities w/Boom Only (lbs)</b>				
		Counter Weight Extension (in)				
		0	12	24	36	48
<b>Load Center From Boom Face (in)</b>	8	30300	33500	36700	39900	43100
	16	26800	29700	32500	35400	38300
	24	24000	26600	29200	31800	34400
	32	21600	24000	26400	28700	31100
	40	19600	21800	24000	26200	28400
	48	17900	20000	22000	24000	26000
	56	16500	18400	20200	22100	24000
	64	15200	17000	18700	20500	22300
	72	14200	15800	17500	19200	20800
	80	13300	14800	16400	18000	19600
	88	12500	14000	15400	16900	18400
	96	11700	13200	14600	16000	17400
	102	11300	12600	14000	15300	16700
	112	10500	11800	13100	14400	15600
120	10000	11200	12400	13600	14900	

		<b>Lift Capacities w/Forks &amp; Boom (lbs)</b>				
		Counter Weight Extension (in) <sup>3</sup>				
		0	12	24	36	48
<b>Load Center From Boom Face (in)</b>	12	24400	27400	30400	33500	36500
	24	21000	23600	26200	28800	31400
	36	18400	20700	23000	25300	27500
	48	16400	18400	20500	22500	24500
	60	14800	16600	18500	20300	22100
	72	13500	15100	16800	18500	20100

\*\*\*All Load Capacities are Rated with the Mast Vertical

## 100/140 Versa-Lift with 1 Counterweight Slabs

Slab Weight (lbs)

**4700**

Number of Slabs

**1**

Standard Wheel Base

**126**

		<b>Lift Capacities w/Forks Only (lbs)</b>				
		Counter Weight Extension (in)				
		0	12	24	36	48
<b>Load Center From Fork Face (in)</b>	24	43400	47500	51600	55800	59900
	36	36600	40100	43600	47100	50600
	48	31700	34700	37700	40700	43700
	60	27900	30600	33200	35900	38500
	72	25000	27300	29700	32100	34500
	84	22600	24700	26900	29000	31100

		<b>Lift Capacities w/Boom Only (lbs)</b>				
		Counter Weight Extension (in)				
		0	12	24	36	48
<b>Load Center From Boom Face (in)</b>	8	37100	40900	44700	48600	52400
	16	32900	36300	39800	43200	46600
	24	29500	32600	35700	38800	42000
	32	26600	29500	32400	35200	38100
	40	24300	26900	29500	32200	34800
	48	22200	24700	27100	29600	32000
	56	20500	22700	25000	27300	29600
	64	18900	21100	23200	25300	27500
	72	17700	19700	21700	23700	25700
	80	16600	18500	20400	22300	24200
	88	15600	17400	19200	21000	22800
	96	14700	16400	18100	19800	21500
	102	14100	15800	17400	19100	20700
	112	13200	14800	16300	17900	19400
120	12600	14000	15500	17000	18500	

		<b>Lift Capacities w/Forks &amp; Boom (lbs)</b>				
		Counter Weight Extension (in)				
		0	12	24	36	48
<b>Load Center From Boom Face (in)</b>	12	30800	34400	38100	41700	45300
	24	26500	29600	32700	35900	39000
	36	23300	26000	28700	31500	34200
	48	20700	23200	25600	28000	30500
	60	18700	20900	23100	25300	27500
	72	17000	19000	21000	23000	25000

\*\*\*All Load Capacities are Rated with the Mast Vertical

## 100/140 Versa-Lift with 2 Counterweight Slabs

Slab Weight (lbs)

**4700**

Number of Slabs

**2**

Standard Wheel Base

**126**

		<b>Lift Capacities w/Forks Only (lbs)</b>				
		Counter Weight Extension (in)				
		0	12	24	36	48
<b>Load Center From Fork Face (in)</b>	24	50700	55500	60300	65100	70000
	36	42800	46800	50900	55000	59100
	48	37000	40500	44000	47600	51100
	60	32600	35700	38800	41900	45000
	72	29100	31900	34700	37500	40200
	84	26300	28900	31400	33900	36400

		<b>Lift Capacities w/Boom Only (lbs)</b>				
		Counter Weight Extension (in)				
		0	12	24	36	48
<b>Load Center From Boom Face (in)</b>	8	43800	48300	52800	57300	61700
	16	38900	43000	47000	51000	55000
	24	35000	38600	42300	45900	49600
	32	31700	35000	38400	41700	45000
	40	28900	32000	35100	38100	41200
	48	26500	29400	32200	35100	37900
	56	24500	27100	29800	32500	35100
	64	22700	25200	27700	30200	32700
	72	21200	23600	25900	28300	30600
	80	19900	22100	24400	26600	28800
	88	18800	20900	23000	25100	27100
	96	17700	19700	21700	23700	25700
	102	17000	18900	20900	22800	24700
	112	15900	17800	19600	21400	23200
120	15200	16900	18600	20300	22100	

		<b>Lift Capacities w/Forks &amp; Boom (lbs)</b>				
		Counter Weight Extension (in)				
		0	12	24	36	48
<b>Load Center From Boom Face (in)</b>	12	37200	41400	45700	49900	54200
	24	32000	35700	39300	43000	46600
	36	28100	31300	34500	37700	40900
	48	25000	27900	30700	33600	36400
	60	22600	25100	27700	30300	32800
	72	20500	22900	25200	27600	29900

\*\*\*All Load Capacities are Rated with the Mast Vertical

## 100/140 Versa-Lift with 3 Counterweight Slabs

Slab Weight (lbs)  
**4700**

Number of Slabs  
**3**

Standard Wheel Base  
**126**

		<b>Lift Capacities w/Forks Only (lbs)</b>				
		Counter Weight Extension (in)				
		0	12	24	36	48
<b>Load Center From Fork Face (in)</b>	24	58000	63500	69000	74500	80000
	36	48900	53600	58200	62900	67600
	48	42300	46400	50400	54400	58400
	60	37300	40800	44400	48000	51500
	72	33300	36500	39700	42900	46000
	84	30100	33000	35900	38700	41600

		<b>Lift Capacities w/Boom Only (lbs)</b>				
		Counter Weight Extension (in)				
		0	12	24	36	48
<b>Load Center From Boom Face (in)</b>	8	50600	55700	60800	66000	71100
	16	45000	49600	54200	58800	63400
	24	40500	44700	48800	53000	57200
	32	36700	40500	44400	48200	52000
	40	33600	37100	40600	44100	47600
	48	30800	34100	37400	40600	43900
	56	28500	31500	34600	37600	40700
	64	26500	29300	32200	35000	37800
	72	24800	27500	30100	32800	35500
	80	23300	25800	28300	30900	33400
	88	21900	24300	26700	29100	31500
	96	20700	23000	25300	27600	29800
	102	19900	22100	24300	26500	28700
	112	18700	20700	22800	24900	26900
120	17800	19700	21700	23700	25700	

		<b>Lift Capacities w/Forks &amp; Boom (lbs)</b>				
		Counter Weight Extension (in)				
		0	12	24	36	48
<b>Load Center From Boom Face (in)</b>	12	43600	48500	53300	58100	63000
	24	37500	41700	45900	50000	54200
	36	32900	36600	40200	43900	47600
	48	29300	32600	35900	39100	42400
	60	26400	29400	32300	35300	38200
	72	24100	26800	29400	32100	34800

\*\*\*All Load Capacities are Rated with the Mast Vertical



## 100/140 Versa-Lift with 4 Counterweight Slabs

Slab Weight (lbs)

**4700**

Number of Slabs

**4**

Standard Wheel Base

**126**

		<b>Lift Capacities w/Forks Only (lbs)</b>				
		Counter Weight Extension (in)				
		0	12	24	36	48
<b>Load Center From Fork Face (in)</b>	24	65200	71500	77700	83900	90100
	36	55100	60300	65600	70800	76100
	48	47600	52200	56700	61300	65800
	60	42000	46000	50000	54000	58000
	72	37500	41100	44700	48300	51800
	84	33900	37200	40400	43600	46800

		<b>Lift Capacities w/Boom Only (lbs)</b>				
		Counter Weight Extension (in)				
		0	12	24	36	48
<b>Load Center From Boom Face (in)</b>	8	57400	63100	68900	74700	80400
	16	51100	56300	61500	66600	71800
	24	46000	50700	55400	60100	64800
	32	41800	46100	50400	54700	59000
	40	38200	42200	46100	50100	54000
	48	35200	38800	42500	46200	49800
	56	32500	35900	39400	42800	46200
	64	30200	33400	36600	39800	43000
	72	28300	31300	34300	37400	40400
	80	26600	29500	32300	35100	38000
	88	25100	27800	30500	33200	35900
	96	23700	26300	28900	31400	34000
	102	22800	25300	27700	30200	32700
	112	21400	23700	26000	28400	30700
120	20400	22600	24800	27000	29300	

		<b>Lift Capacities w/Forks &amp; Boom (lbs)</b>				
		Counter Weight Extension (in)				
		0	12	24	36	48
<b>Load Center From Boom Face (in)</b>	12	50000	55500	60900	66400	71800
	24	43000	47700	52400	57100	61800
	36	37800	41900	46000	50100	54200
	48	33600	37300	41000	44700	48300
	60	30300	33600	37000	40300	43600
	72	27600	30600	33600	36700	39700

\*\*\*All Load Capacities are Rated with the Mast Vertical

## 100/140 Versa-Lift with 5 Counterweight Slabs

Slab Weight (lbs)

**4700**

Number of Slabs

**5**

Standard Wheel Base

**126**

		<b>Lift Capacities w/Forks Only (lbs)</b>				
		Counter Weight Extension (in)				
		0	12	24	36	48
<b>Load Center From Fork Face (in)</b>	24	72500	79400	86300	93300	100200
	36	61200	67100	72900	78700	84600
	48	53000	58000	63100	68100	73200
	60	46700	51100	55600	60000	64500
	72	41700	45700	49700	53600	57600
	84	37700	41300	44900	48500	52100

		<b>Lift Capacities w/Boom Only (lbs)</b>				
		Counter Weight Extension (in)				
		0	12	24	36	48
<b>Load Center From Boom Face (in)</b>	8	64100	70500	77000	83400	89800
	16	57200	62900	68700	74400	80200
	24	51500	56700	61900	67200	72400
	32	46800	51600	56400	61100	65900
	40	42800	47200	51600	56100	60500
	48	39500	43500	47600	51700	55800
	56	36500	40300	44100	47900	51800
	64	34000	37500	41100	44700	48200
	72	31800	35200	38500	41900	45200
	80	30000	33100	36300	39400	42600
	88	28300	31300	34200	37200	40200
	96	26700	29600	32400	35300	38100
	102	25700	28400	31200	33900	36600
	112	24100	26700	29300	31900	34400
120	23000	25400	27900	30400	32800	

		<b>Lift Capacities w/Forks &amp; Boom (lbs)</b>				
		Counter Weight Extension (in)				
		0	12	24	36	48
<b>Load Center From Boom Face (in)</b>	12	56400	62500	68500	74600	80700
	24	48500	53800	59000	64200	69400
	36	42600	47200	51800	56300	60900
	48	37900	42000	46100	50200	54300
	60	34200	37900	41600	45300	48900
	72	31200	34500	37900	41200	44600

\*\*\*All Load Capacities are Rated with the Mast Vertical

## 100/140 Versa-Lift with 6 Counterweight Slabs

Slab Weight (lbs)

**4700**

Number of Slabs

**6**

Standard Wheel Base

**126**

		<b>Lift Capacities w/Forks Only (lbs)</b>				
		Counter Weight Extension (in)				
		0	12	24	36	48
<b>Load Center From Fork Face (in)</b>	24	79800	87400	95000	102600	110200
	36	67400	73800	80200	86600	93000
	48	58300	63800	69400	74900	80500
	60	51400	56300	61200	66000	70900
	72	45900	50300	54700	59000	63400
	84	41500	45500	49400	53400	57300

		<b>Lift Capacities w/Boom Only (lbs)</b>				
		Counter Weight Extension (in)				
		0	12	24	36	48
<b>Load Center From Boom Face (in)</b>	8	70900	78000	85000	92100	99100
	16	63200	69600	75900	82200	88600
	24	57000	62800	68500	74300	80000
	32	51800	57100	62400	67600	72900
	40	47500	52300	57200	62000	66900
	48	43800	48300	52800	57200	61700
	56	40500	44700	48900	53100	57300
	64	37700	41700	45600	49500	53400
	72	35400	39100	42800	46400	50100
	80	33300	36800	40200	43700	47200
	88	31400	34700	38000	41300	44600
	96	29700	32900	36000	39100	42200
	102	28600	31600	34600	37600	40600
	112	26800	29700	32500	35400	38200
120	25600	28300	31000	33700	36400	

		<b>Lift Capacities w/Forks &amp; Boom (lbs)</b>				
		Counter Weight Extension (in)				
		0	12	24	36	48
<b>Load Center From Boom Face (in)</b>	12	62800	69500	76200	82800	89500
	24	54000	59800	65500	71300	77000
	36	47400	52500	57500	62600	67600
	48	42300	46700	51200	55700	60200
	60	38100	42100	46200	50200	54300
	72	34700	38400	42100	45700	49400

\*\*\*All Load Capacities are Rated with the Mast Vertical

## 100/140 Versa-Lift with 7 Counterweight Slabs

Slab Weight (lbs)  
**4700**

Number of Slabs  
**7**

Standard Wheel Base  
**126**

		<b>Lift Capacities w/Forks Only (lbs)</b>				
		Counter Weight Extension (in)				
		0	12	24	36	48
<b>Load Center From Fork Face (in)</b>	24	87100	95400	103700	112000	120300
	36	73500	80500	87500	94500	101500
	48	63600	69700	75700	81800	87900
	60	56100	61400	66700	72100	77400
	72	50100	54900	59600	64400	69200
	84	45300	49600	53900	58200	62600

		<b>Lift Capacities w/Boom Only (lbs)</b>				
		Counter Weight Extension (in)				
		0	12	24	36	48
<b>Load Center From Boom Face (in)</b>	8	77700	85400	93100	100800	108500
	16	69300	76200	83100	90100	97000
	24	62500	68800	75100	81300	87600
	32	56900	62600	68400	74100	79800
	40	52100	57400	62700	68000	73300
	48	48100	53000	57900	62800	67700
	56	44600	49100	53700	58300	62800
	64	41500	45800	50100	54300	58600
	72	38900	42900	47000	51000	55000
	80	36600	40400	44200	48000	51800
	88	34600	38200	41800	45400	49000
	96	32700	36100	39600	43000	46400
	102	31500	34800	38000	41300	44600
	112	29600	32700	35800	38900	42000
120	28200	31100	34100	37100	40000	

		<b>Lift Capacities w/Forks &amp; Boom (lbs)</b>				
		Counter Weight Extension (in)				
		0	12	24	36	48
<b>Load Center From Boom Face (in)</b>	12	69200	76500	83800	91100	98400
	24	59600	65800	72100	78400	84600
	36	52300	57800	63300	68800	74300
	48	46600	51500	56400	61300	66200
	60	42000	46400	50800	55200	59700
	72	38200	42200	46300	50300	54300

\*\*\*All Load Capacities are Rated with the Mast Vertical

## 100/140 Versa-Lift with 8 Counterweight Slabs

Slab Weight (lbs)

**4700**

Number of Slabs

**8**

Standard Wheel Base

**126**

		<b>Lift Capacities w/Forks Only (lbs)</b>				
		Counter Weight Extension (in)				
		0	12	24	36	48
<b>Load Center From Fork Face (in)</b>	24	94400	103400	112400	121400	130400
	36	79700	87300	94900	102500	110000
	48	68900	75500	82100	88600	95200
	60	60700	66500	72300	78100	83900
	72	54300	59500	64600	69800	75000
	84	49100	53800	58400	63100	67800

		<b>Lift Capacities w/Boom Only (lbs)</b>				
		Counter Weight Extension (in)				
		0	12	24	36	48
<b>Load Center From Boom Face (in)</b>	8	84400	92800	101100	109500	117800
	16	75400	82900	90400	97900	105400
	24	68000	74800	81600	88400	95200
	32	61900	68100	74400	80600	86800
	40	56800	62500	68200	74000	79700
	48	52400	57700	63000	68300	73600
	56	48600	53500	58500	63400	68400
	64	45300	49900	54500	59200	63800
	72	42500	46800	51200	55500	59900
	80	40000	44100	48200	52300	56400
	88	37700	41600	45500	49400	53300
	96	35700	39400	43100	46800	50500
	102	34400	37900	41500	45100	48600
	112	32300	35600	39000	42400	45700
120	30800	34000	37200	40400	43600	

		<b>Lift Capacities w/Forks &amp; Boom (lbs)</b>				
		Counter Weight Extension (in)				
		0	12	24	36	48
<b>Load Center From Boom Face (in)</b>	12	75600	83500	91400	99300	107200
	24	65100	71900	78700	85400	92200
	36	57100	63100	69000	75000	80900
	48	50900	56200	61500	66800	72100
	60	45900	50700	55400	60200	65000
	72	41800	46100	50500	54800	59200

\*\*\*All Load Capacities are Rated with the Mast Vertical

## 100/140 Versa-Lift with 9 Counterweight Slabs

Slab Weight (lbs)

**4700**

Number of Slabs

**9**

Standard Wheel Base

**126**

		<b>Lift Capacities w/Forks Only (lbs)</b>				
		Counter Weight Extension (in)				
		0	12	24	36	48
<b>Load Center From Fork Face (in)</b>	24	101700	111400	121100	130700	140400
	36	85800	94000	102200	110400	118500
	48	74300	81300	88400	95500	102600
	60	65400	71700	77900	84100	90400
	72	58500	64100	69600	75200	80800
	84	52900	57900	62900	68000	73000

		<b>Lift Capacities w/Boom Only (lbs)</b>				
		Counter Weight Extension (in)				
		0	12	24	36	48
<b>Load Center From Boom Face (in)</b>	8	91200	100200	109200	118200	127200
	16	81500	89500	97600	105700	113700
	24	73500	80900	88200	95500	102800
	32	67000	73700	80400	87100	93800
	40	61400	67600	73800	79900	86100
	48	56700	62400	68100	73900	79600
	56	52600	57900	63300	68600	73900
	64	49000	54000	59000	64000	69000
	72	46000	50700	55400	60100	64800
	80	43300	47700	52200	56600	61000
	88	40900	45100	49300	53500	57700
	96	38700	42700	46700	50700	54700
	102	37300	41100	44900	48800	52600
	112	35000	38600	42200	45900	49500
120	33400	36800	40300	43800	47200	

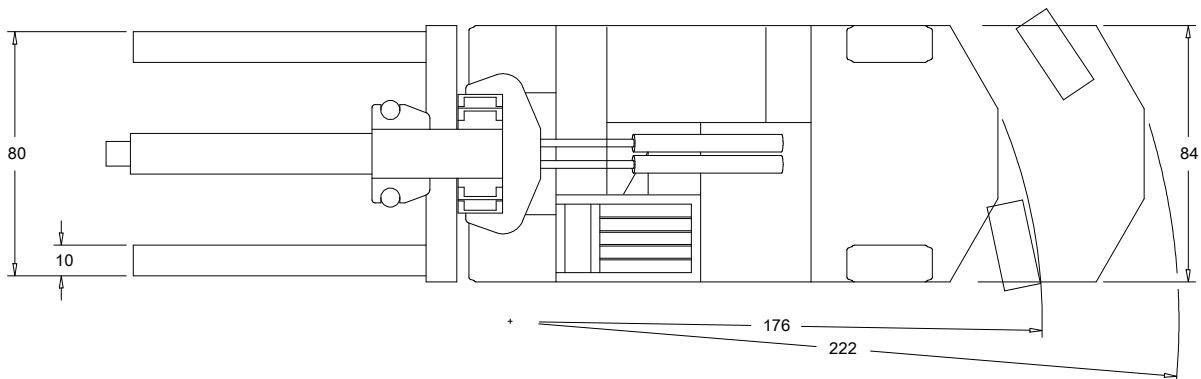
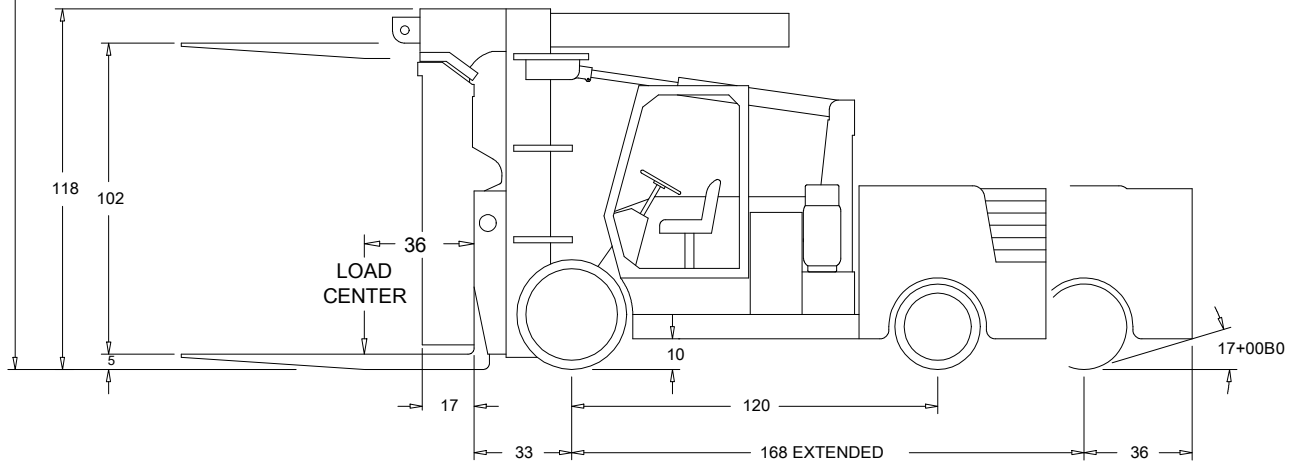
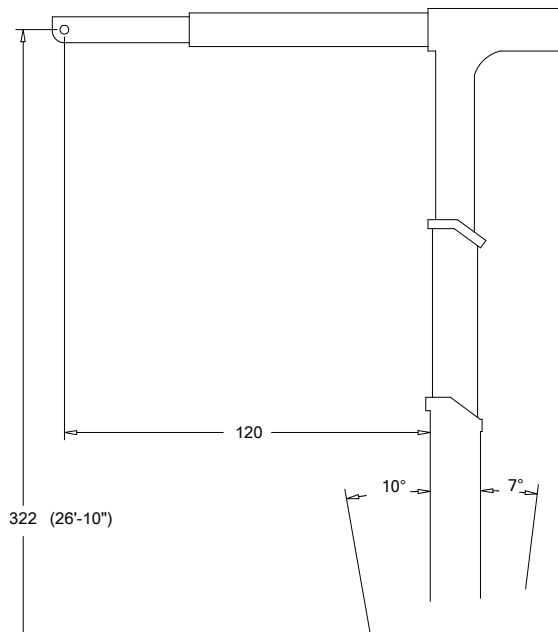
		<b>Lift Capacities w/Forks &amp; Boom (lbs)</b>				
		Counter Weight Extension (in)				
		0	12	24	36	48
<b>Load Center From Boom Face (in)</b>	12	82000	90500	99000	107500	116000
	24	70600	77900	85200	92500	99800
	36	61900	68400	74800	81200	87600
	48	55200	60900	66600	72300	78100
	60	49700	54900	60100	65200	70400
	72	45300	50000	54700	59400	64100

\*\*\*All Load Capacities are Rated with the Mast Vertical

# VERSA-LIFT <sup>60/80</sup> A&B

60000 LBS @ 36" RETRACTED  
 80000 LBS @ 36" EXTENDED  
 100000 LBS @ 22" EXTENDED

ENGINE: GM 4.3  
 TRANSMISSION: SAUER HYDROSTATIC  
 DRIVE AXLE: PLANETARY WHEEL ENDS  
 TIRES: FRONT 36X22 POLY  
 REAR 28X12 POLY  
 GRADE: EMPTY 44%  
 LOADED 19%  
 TILT: FORWARD 10°, BACK 7°  
 WEIGHTS: GROSS 78000 LBS  
 COUNTERWEIGHT 30000 LBS  
 BOOM 7500 LBS  
 FORKS 4000 LBS



**CUSTOM MOBILE EQUIPMENT, INC.**

439 EAST HIGH STREET, BALDWIN CITY, KS 66006

(785) 594-7474 FAX (785) 594-7475

**WEIGHTS AND FLOOR LOADINGS  
 VERSA-LIFT 60/80 WITH BOOM AND FORKS**

FRONT TRACK-	62"
REAR TRACK -	72"
OVERALL WIDTH -	84"
WHEELBASE EXTENDS -	120" TO 168"

**WEIGHTS**

		FRAME OUT	FRAME IN
	NO LOAD	(80,000# LOAD)	(60,000# LOAD)
WEIGHT ON DRIVE AXLE -	39,000#	151,000#	131,500#
WEIGHT ON STEER AXLE -	40,000#	7,500#	7,500#
TOTAL WEIGHT -	79,000#	159,000#	139,000#

**FLOOR LOADING WITH POLY TIRES**

	GROUND PRESSURE	FOOTPRINT (per wheel)
FLOOR LOADING - EMPTY	370 psi ON STEER	50.79 square inches each
FLOOR LOADING - LOADED		
80,000# AT 36" LOAD CENTER	754 psi ON DRIVE	100.02 square inches each



## 60/80 Versa-Lift with 0 Counterweight Slabs

Slab Weight (lbs)

**5000**

Number of Slabs

**0**

Standard Wheel Base

**120**

		<b>Lift Capacities w/Forks Only (lbs)</b>				
		Counter Weight Extension (in)				
		0	12	24	36	48
<b>Load Center From Fork Face (in)</b>	22	16100	18200	20300	22500	24600
	36	12800	14500	16200	17800	19500
	48	10900	12300	13700	15200	16600
	60	9400	10700	11900	13200	14400
	72	8300	9500	10600	11700	12800
	84	7500	8500	9500	10500	11500

		<b>Lift Capacities w/Boom Only (lbs)</b>				
		Counter Weight Extension (in)				
		0	12	24	36	48
<b>Load Center From Boom Face (in)</b>	6	12600	14700	16800	18900	20900
	24	9500	11000	12600	14200	15800
	36	8100	9500	10800	12200	13600
	48	7100	8300	9500	10700	11900
	60	6300	7400	8500	9500	10600
	72	5700	6700	7600	8600	9500
	84	5200	6100	6900	7800	8700
	96	4800	5600	6400	7200	7900
	108	4400	5100	5900	6600	7300
	120	4100	4800	5500	6100	6800

		<b>Lift Capacities w/Forks &amp; Boom (lbs)</b>				
		Counter Weight Extension (in)				
		0	12	24	36	48
<b>Load Center From Boom Face (in)</b>	24	7500	9100	10600	12200	13800
	36	6400	7800	9100	10500	11800
	48	5600	6800	8000	9200	10400
	60	5000	6100	7100	8200	9200
	72	4500	5500	6400	7400	8300
	84	4100	5000	5800	6700	7600

*\*\*\*All Load Capacities are Rated with the Mast Vertical*

## 60/80 Versa-Lift with 1 Counterweight Slabs

Slab Weight (lbs)

**5000**

Number of Slabs

**1**

Standard Wheel Base

**120**

		<b>Lift Capacities w/Forks Only (lbs)</b>				
		Counter Weight Extension (in)				
		0	12	24	36	48
<b>Load Center From Fork Face (in)</b>	22	25000	28000	31000	34000	37100
	36	19800	22200	24600	27000	29400
	48	16900	18900	20900	23000	25000
	60	14700	16400	18200	20000	21700
	72	13000	14500	16100	17700	19200
	84	11600	13000	14400	15800	17200

		<b>Lift Capacities w/Boom Only (lbs)</b>				
		Counter Weight Extension (in)				
		0	12	24	36	48
<b>Load Center From Boom Face (in)</b>	6	21300	24300	27200	30200	33200
	24	16000	18300	20500	22800	25000
	36	13800	15700	17600	19500	21500
	48	12100	13800	15400	17100	18800
	60	10700	12200	13700	15200	16700
	72	9700	11000	12400	13700	15100
	84	8800	10000	11300	12500	13700
	96	8100	9200	10300	11500	12600
	108	7500	8500	9500	10600	11600
	120	6900	7900	8900	9800	10800

		<b>Lift Capacities w/Forks &amp; Boom (lbs)</b>				
		Counter Weight Extension (in)				
		0	12	24	36	48
<b>Load Center From Boom Face (in)</b>	24	14000	16300	18500	20800	23000
	36	12100	14000	15900	17800	19700
	48	10600	12300	13900	15600	17300
	60	9400	10900	12400	13900	15400
	72	8500	9800	11200	12500	13900
	84	7700	8900	10200	11400	12600

*\*\*\*All Load Capacities are Rated with the Mast Vertical*

## 60/80 Versa-Lift with 2 Counterweight Slabs

Slab Weight (lbs)  
**5000**

Number of Slabs  
**2**

Standard Wheel Base  
**120**

		<b>Lift Capacities w/Forks Only (lbs)</b>				
		Counter Weight Extension (in)				
		0	12	24	36	48
<b>Load Center From Fork Face (in)</b>	22	33900	37800	41700	45600	49500
	36	26900	30000	33100	36200	39300
	48	22900	25500	28100	30800	33400
	60	19900	22200	24500	26800	29100
	72	17600	19600	21600	23700	25700
	84	15800	17600	19400	21200	23000

		<b>Lift Capacities w/Boom Only (lbs)</b>				
		Counter Weight Extension (in)				
		0	12	24	36	48
<b>Load Center From Boom Face (in)</b>	6	30000	33900	37700	41500	45400
	24	22600	25500	28400	31300	34200
	36	19400	21900	24400	26900	29400
	48	17000	19200	21400	23600	25700
	60	15100	17100	19000	21000	22900
	72	13600	15400	17100	18900	20600
	84	12400	14000	15600	17200	18800
	96	11400	12800	14300	15800	17200
	108	10500	11900	13200	14600	15900
	120	9800	11000	12300	13500	14800

		<b>Lift Capacities w/Forks &amp; Boom (lbs)</b>				
		Counter Weight Extension (in)				
		0	12	24	36	48
<b>Load Center From Boom Face (in)</b>	24	20600	23500	26400	29300	32200
	36	17700	20200	22700	25200	27700
	48	15500	17700	19900	22100	24200
	60	13800	15800	17700	19600	21600
	72	12400	14200	15900	17700	19400
	84	11300	12900	14500	16100	17700

*\*\*\*All Load Capacities are Rated with the Mast Vertical*

## 60/80 Versa-Lift with 3 Counterweight Slabs

Slab Weight (lbs)

**5000**

Number of Slabs

**3**

Standard Wheel Base

**120**

		<b>Lift Capacities w/Forks Only (lbs)</b>				
		Counter Weight Extension (in)				
		0	12	24	36	48
<b>Load Center From Fork Face (in)</b>	22	42700	47500	52300	57100	61900
	36	33900	37800	41600	45400	49200
	48	28900	32100	35300	38600	41800
	60	25100	27900	30700	33500	36400
	72	22200	24700	27200	29700	32200
	84	19900	22100	24400	26600	28800

		<b>Lift Capacities w/Boom Only (lbs)</b>				
		Counter Weight Extension (in)				
		0	12	24	36	48
<b>Load Center From Boom Face (in)</b>	6	38700	43500	48200	52900	57600
	24	29200	32700	36300	39800	43400
	36	25100	28100	31200	34200	37300
	48	22000	24600	27300	30000	32700
	60	19600	21900	24300	26700	29100
	72	17600	19800	21900	24000	26200
	84	16000	18000	19900	21900	23800
	96	14700	16500	18300	20100	21800
	108	13600	15200	16900	18500	20200
	120	12600	14100	15700	17200	18700

		<b>Lift Capacities w/Forks &amp; Boom (lbs)</b>				
		Counter Weight Extension (in)				
		0	12	24	36	48
<b>Load Center From Boom Face (in)</b>	24	27200	30800	34300	37900	41400
	36	23400	26400	29500	32500	35600
	48	20500	23100	25800	28500	31200
	60	18200	20600	23000	25400	27700
	72	16400	18600	20700	22800	25000
	84	14900	16900	18800	20800	22700

*\*\*\*All Load Capacities are Rated with the Mast Vertical*

## 60/80 Versa-Lift with 4 Counterweight Slabs

Slab Weight (lbs)  
**5000**

Number of Slabs  
**4**

Standard Wheel Base  
**120**

		<b>Lift Capacities w/Forks Only (lbs)</b>				
		Counter Weight Extension (in)				
		0	12	24	36	48
<b>Load Center From Fork Face (in)</b>	22	51600	57300	63000	68700	74400
	36	41000	45500	50000	54600	59100
	48	34900	38700	42500	46400	50200
	60	30300	33600	37000	40300	43700
	72	26800	29800	32700	35700	38600
	84	24000	26700	29300	32000	34600

		<b>Lift Capacities w/Boom Only (lbs)</b>				
		Counter Weight Extension (in)				
		0	12	24	36	48
<b>Load Center From Boom Face (in)</b>	6	47500	53100	58600	64200	69800
	24	35800	40000	44200	48400	52600
	36	30700	34300	37900	41600	45200
	48	26900	30100	33300	36400	39600
	60	24000	26800	29600	32400	35200
	72	21600	24100	26700	29200	31700
	84	19600	21900	24300	26600	28900
	96	18000	20100	22200	24400	26500
	108	16600	18600	20500	22500	24500
	120	15500	17300	19100	20900	22700

		<b>Lift Capacities w/Forks &amp; Boom (lbs)</b>				
		Counter Weight Extension (in)				
		0	12	24	36	48
<b>Load Center From Boom Face (in)</b>	24	33800	38000	42200	46400	50600
	36	29000	32600	36200	39800	43500
	48	25400	28600	31800	34900	38100
	60	22600	25400	28300	31100	33900
	72	20400	22900	25500	28000	30500
	84	18500	20800	23200	25500	27800

*\*\*\*All Load Capacities are Rated with the Mast Vertical*

## 60/80 Versa-Lift with 5 Counterweight Slabs

Slab Weight (lbs)  
**5000**

Number of Slabs  
**5**

Standard Wheel Base  
**120**

		<b>Lift Capacities w/Forks Only (lbs)</b>				
		Counter Weight Extension (in)				
		0	12	24	36	48
<b>Load Center From Fork Face (in)</b>	22	60500	67100	73700	80300	86800
	36	48100	53300	58500	63700	69000
	48	40900	45300	49700	54200	58600
	60	35500	39400	43200	47100	51000
	72	31400	34800	38300	41700	45100
	84	28200	31200	34300	37400	40400

		<b>Lift Capacities w/Boom Only (lbs)</b>				
		Counter Weight Extension (in)				
		0	12	24	36	48
<b>Load Center From Boom Face (in)</b>	6	56200	62700	69100	75600	82000
	24	42300	47200	52100	56900	61800
	36	36400	40500	44700	48900	53100
	48	31900	35500	39200	42900	46500
	60	28400	31600	34900	38100	41400
	72	25500	28500	31400	34400	37300
	84	23200	25900	28600	31300	33900
	96	21300	23800	26200	28700	31100
	108	19700	22000	24200	26500	28700
	120	18300	20400	22500	24600	26700

		<b>Lift Capacities w/Forks &amp; Boom (lbs)</b>				
		Counter Weight Extension (in)				
		0	12	24	36	48
<b>Load Center From Boom Face (in)</b>	24	40400	45200	50100	54900	59800
	36	34700	38800	43000	47200	51400
	48	30400	34000	37700	41400	45000
	60	27000	30300	33500	36800	40100
	72	24300	27300	30200	33200	36100
	84	22100	24800	27500	30200	32800

*\*\*\*All Load Capacities are Rated with the Mast Vertical*

## 60/80 Versa-Lift with 6 Counterweight Slabs

Slab Weight (lbs)  
**5000**

Number of Slabs  
**6**

Standard Wheel Base  
**120**

		<b>Lift Capacities w/Forks Only (lbs)</b>				
		Counter Weight Extension (in)				
		0	12	24	36	48
<b>Load Center From Fork Face (in)</b>	22	69400	76900	84300	91800	99300
	36	55100	61000	67000	72900	78800
	48	46900	51900	56900	62000	67000
	60	40700	45100	49500	53900	58300
	72	36000	39900	43800	47700	51500
	84	32300	35800	39300	42700	46200

		<b>Lift Capacities w/Boom Only (lbs)</b>				
		Counter Weight Extension (in)				
		0	12	24	36	48
<b>Load Center From Boom Face (in)</b>	6	64900	72300	79600	86900	94300
	24	48900	54400	60000	65500	71000
	36	42000	46800	51500	56200	61000
	48	36800	41000	45100	49300	53400
	60	32800	36500	40200	43900	47600
	72	29500	32800	36200	39500	42800
	84	26900	29900	32900	35900	39000
	96	24600	27400	30200	33000	35800
	108	22700	25300	27900	30500	33000
	120	21100	23500	25900	28300	30700

		<b>Lift Capacities w/Forks &amp; Boom (lbs)</b>				
		Counter Weight Extension (in)				
		0	12	24	36	48
<b>Load Center From Boom Face (in)</b>	24	46900	52400	58000	63500	69000
	36	40300	45000	49800	54500	59300
	48	35300	39500	43600	47800	51900
	60	31400	35100	38800	42500	46200
	72	28300	31600	35000	38300	41600
	84	25800	28800	31800	34900	37900

*\*\*\*All Load Capacities are Rated with the Mast Vertical*



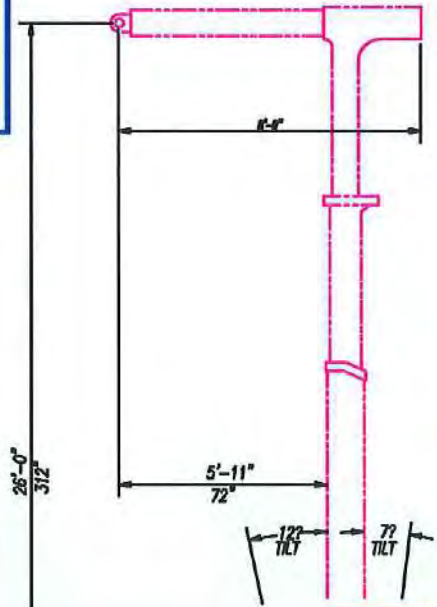


# TAYLOR CRANE & RIGGING VERSA-LIFT FORKLIFT PRINT



# 60A

## 60 A&B

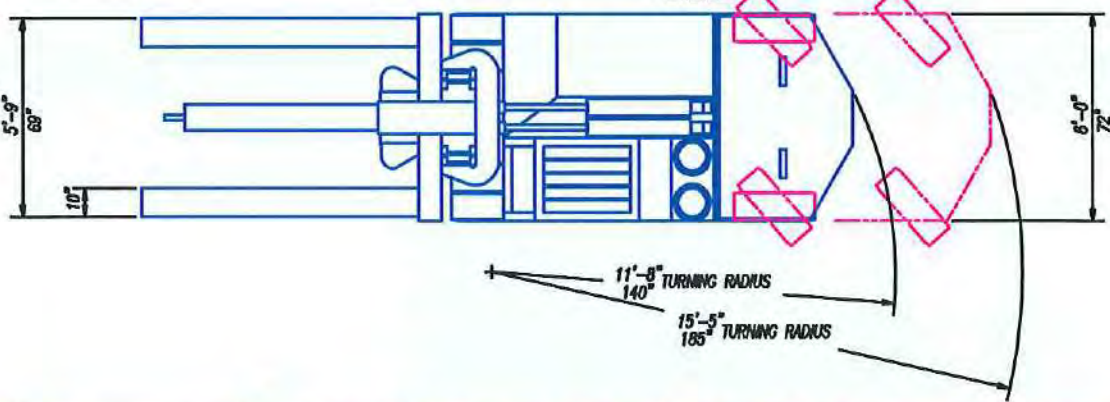
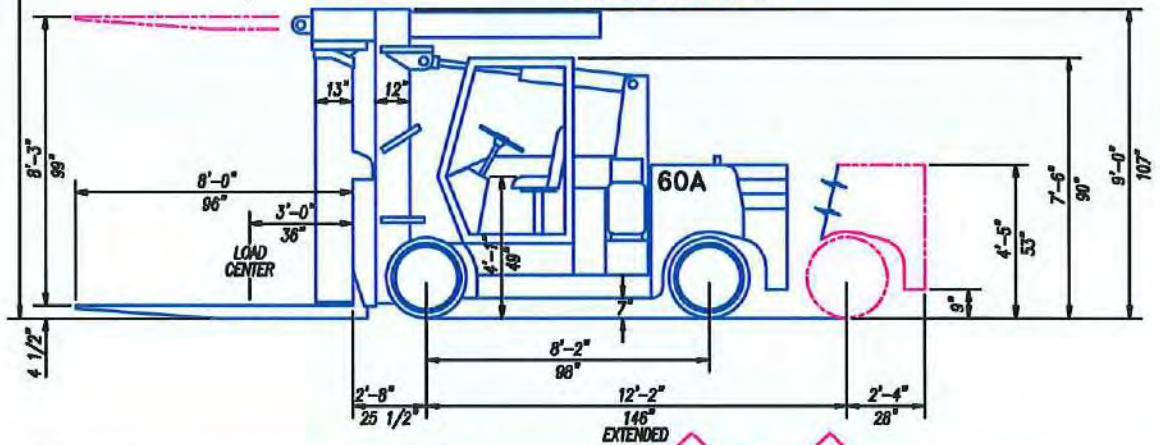


LIFT CAPACITIES* WITH FORKS & WITHOUT BOOM					
LOAD CENTER FROM FORK FACE	COUNTERWEIGHT EXTENSION				
	0"	12"	24"	36"	48"
36"	41,000	48,500	51,000	53,000	53,000
48"	34,000	39,700	42,000	43,500	43,500
60"	30,000	35,000	36,000	36,000	35,500
72"	26,500	29,500	31,000	31,000	30,000
84"	23,000	25,000	26,000	26,000	25,000

LIFT CAPACITIES* WITH BOOM & WITHOUT FORKS					
LOAD CENTER FROM BOOM FACE	COUNTERWEIGHT EXTENSION				
	0"	12"	24"	36"	48"
24"	38,000	45,000	48,000	53,000	58,000
36"	33,500	38,000	41,000	44,000	48,000
48"	29,000	31,000	33,500	36,000	41,000
60"	25,500	27,500	31,000	33,000	38,000
72"	22,000	24,500	27,000	30,500	32,000

LIFT CAPACITIES* WITH BOOM & WITH FORKS					
LOAD CENTER FROM BOOM FACE	COUNTERWEIGHT EXTENSION				
	0"	12"	24"	36"	48"
24"	38,500	45,500	47,500	52,000	58,000
36"	32,100	36,000	38,000	43,000	47,000
48"	27,000	31,000	34,500	37,000	40,000
60"	24,500	27,500	30,100	33,000	35,000
72"	21,500	24,500	26,000	29,400	32,000

\*CAPACITIES LISTED WITH MAST VERTICAL



UNIT NO:	60A	ENGINE:	CONTINENTAL TM27	FORKLIFT WEIGHTS WITH COUNTERWEIGHT (LBS.)	
CAP. 3' L/C:	60,000 LBS.	FUEL:	GASOLINE/LP-GAS	WITH BOOM AND FORKS	57,000
MAKE:	VERSA-LIFT	TRANS.:	SUNDSTRAND HYDROSTATIC	WITH FORKS & WITHOUT BOOM	51,500
MODEL:	40/60	DRIVE TIRES:	28X10X22 POLY. DUAL	WITH BOOM & WITHOUT FORKS	54,000
SERIAL NO.:	02000	STEER TIRES:	28X10X22 POLY.	WITHOUT BOOM AND FORKS	48,500
YEAR:	1994	DRIVE AXLE:	ROCKWELL PLANETARY DRIVE	COUNTERWEIGHT WEIGHT	15,000

REVISED BY JUNIOR BUTLER

REVISED: 7-29-05

DR. BY: XXXXXXXXXXXXXXX

FILE: FORKLIFT 60A

# 60 A&B

## WEIGHTS AND FLOOR LOADINGS VERSA-LIFT 40/60 WITH BOOM AND FORKS

FRONT TRACK-	52"
REAR TRACK -	62"
OVERALL WIDTH -	72"
WHEELBASE EXTENDS -	98" TO 146"

### WEIGHTS (BOOM AND FORKS INCLUDED)

	NO LOAD	FRAME OUT (60,000# LOAD)	FRAME IN (40,000# LOAD)
WEIGHT ON DRIVE AXLE -	27,000#	112,000#	92,000#
WEIGHT ON STEER AXLE -	31,000#	6,000#	6,000#
TOTAL WEIGHT -	58,000#	118,000#	98,000#

### FLOOR LOADING WITH POLY TIRES

	EST. GROUND PRESSURE	EST. FOOTPRINT (per wheel)
FLOOR LOADING - EMPTY	381 psi ON STEER	41.94 square inches each
FLOOR LOADING - LOADED 60,000# AT 36" LOAD CENTER	643 psi ON DRIVE	87.06 square inches each

**Taylor Crane & Rigging**  
**40/60 Versa-Lift with 0 Counterweight Slabs**

Slab Weight (lbs)  
5000

Number of Slabs  
0

Standard Wheel Base  
98

		<b>Lift Capacities w/Forks Only (lbs)</b>				
		<b>Counter Weight Extension (in)</b>				
		0	12	24	36	48
<b>Load Center From Fork Face (in)</b>	36	22100	24400	26800	29100	31400
	48	18500	20500	22400	24300	26300
	60	15900	17600	19200	20900	22600
	72	14000	15400	16900	18300	19800
	84	12400	13700	15000	16300	17600

		<b>Lift Capacities w/Boom Only (lbs)</b>				
		<b>Counter Weight Extension (in)</b>				
		0	12	24	36	48
<b>Load Center From Boom Face (in)</b>	24	20500	22700	25000	27300	29600
	36	17200	19100	21000	22900	24800
	48	14800	16400	18100	19700	21400
	60	13000	14400	15900	17300	18800
	72	11600	12900	14100	15400	16700

		<b>Lift Capacities w/Boom &amp; Forks (lbs)</b>				
		<b>Counter Weight Extension (in)</b>				
		0	12	24	36	48
<b>Load Center From Boom Face (in)</b>	24	19100	21400	23700	25900	28200
	36	16000	18000	19900	21800	23700
	48	13800	15500	17100	18700	20400
	60	12100	13600	15000	16500	17900
	72	10800	12100	13400	14700	16000

\*\*\*All Load Capacities are Rated with the Mast Vertical

**Taylor Crane & Rigging**  
**40/60 Versa-Lift with 1 Counterweight Slabs**

Slab Weight (lbs)  
5000

Number of Slabs  
1

Standard Wheel Base  
98

		<b>Lift Capacities w/Forks Only (lbs)</b>				
		<b>Counter Weight Extension (in)</b>				
		0	12	24	36	48
<b>Load Center From Fork Face (in)</b>	36	28600	31700	34800	37900	41000
	48	24000	26500	29100	31700	34300
	60	20600	22800	25000	27300	29500
	72	18100	20000	22000	23900	25900
	84	16100	17800	19600	21300	23000

		<b>Lift Capacities w/Boom Only (lbs)</b>				
		<b>Counter Weight Extension (in)</b>				
		0	12	24	36	48
<b>Load Center From Boom Face (in)</b>	24	26900	29900	32900	36000	39000
	36	22500	25100	27600	30200	32700
	48	19400	21600	23800	26000	28200
	60	17000	19000	20900	22800	24800
	72	15200	16900	18600	20400	22100

		<b>Lift Capacities w/Boom &amp; Forks (lbs)</b>				
		<b>Counter Weight Extension (in)</b>				
		0	12	24	36	48
<b>Load Center From Boom Face (in)</b>	24	25500	28600	31600	34700	37700
	36	21400	24000	26500	29100	31600
	48	18400	20600	22800	25000	27200
	60	16200	18100	20100	22000	23900
	72	14400	16200	17900	19600	21300

**\*\*\*All Load Capacities are Rated with the Mast Vertical**



**Taylor Crane & Rigging**  
**40/60 Versa-Lift with 2 Counterweight Slabs**

Slab Weight (lbs)  
5000

Number of Slabs  
2

Standard Wheel Base  
98

		<b>Lift Capacities w/Forks Only (lbs)</b>				
		Counter Weight Extension (in)				
		0	12	24	36	48
<b>Load Center From Fork Face (in)</b>	36	35100	39000	42900	46800	50600
	48	29400	32600	35900	39100	42400
	60	25300	28100	30800	33600	36400
	72	22200	24600	27100	29500	31900
	84	19700	21900	24100	26300	28400

		<b>Lift Capacities w/Boom Only (lbs)</b>				
		Counter Weight Extension (in)				
		0	12	24	36	48
<b>Load Center From Boom Face (in)</b>	24	33300	37100	40900	44700	48500
	36	27900	31100	34300	37500	40700
	48	24000	26800	29500	32300	35000
	60	21100	23500	25900	28400	30800
	72	18800	21000	23100	25300	27400

		<b>Lift Capacities w/Boom &amp; Forks (lbs)</b>				
		Counter Weight Extension (in)				
		0	12	24	36	48
<b>Load Center From Boom Face (in)</b>	24	31900	35700	39500	43400	47200
	36	26800	30000	33200	36400	39600
	48	23100	25800	28600	31300	34100
	60	20300	22700	25100	27500	29900
	72	18100	20200	22400	24500	26700

\*\*\*All Load Capacities are Rated with the Mast Vertical

**Taylor Crane & Rigging**  
**40/60 Versa-Lift with 3 Counterweight Slabs**

Slab Weight (lbs)

5000

Number of Slabs

3

Standard Wheel Base

98

		<b>Lift Capacities w/Forks Only (lbs)</b>				
		<b>Counter Weight Extension (in)</b>				
		0	12	24	36	48
<b>Load Center From Fork Face (in)</b>	36	41600	46300	51000	55600	60300
	48	34800	38700	42600	46500	50400
	60	30000	33300	36600	40000	43300
	72	26300	29200	32100	35100	38000
	84	23400	26000	28600	31200	33800

		<b>Lift Capacities w/Boom Only (lbs)</b>				
		<b>Counter Weight Extension (in)</b>				
		0	12	24	36	48
<b>Load Center From Boom Face (in)</b>	24	39700	44200	48800	53400	58000
	36	33300	37100	41000	44800	48600
	48	28700	32000	35300	38600	41900
	60	25200	28100	31000	33900	36800
	72	22400	25000	27600	30200	32800

		<b>Lift Capacities w/Boom &amp; Forks (lbs)</b>				
		<b>Counter Weight Extension (in)</b>				
		0	12	24	36	48
<b>Load Center From Boom Face (in)</b>	24	38300	42900	47500	52100	56600
	36	32200	36000	39800	43700	47500
	48	27700	31000	34300	37600	40900
	60	24300	27200	30100	33000	35900
	72	21700	24300	26900	29400	32000

\*\*\*All Load Capacities are Rated with the Mast Vertical

This Boom Chart also applies to 40/60 A & B  
with the three 5000 lb. Counterweight Slabs  
**40/60 Versa-Lift with 4 Counterweight Slabs**

With 30358 Long Horz. Boom & 31022 Insert  
Chart for the optional Long Boom Insert

Slab Weight (lbs)                      Number of Slabs                      Standard Wheel Base  
3750    4    98

		Lift Capacities w/Forks Only (lbs)				
		Counter Weight Extension (in)				
		0	12	24	36	48
Load Center From Fork Face (in)	36	41600	46300	51000	55600	60300
	48	34800	38700	42600	46500	50400
	60	30000	33300	36600	40000	43300
	72	26300	29200	32100	35100	38000
	84	23400	26000	28600	31200	33800

		Lift Capacities w/Boom Only (lbs)				
		Counter Weight Extension (in)				
		0	12	24	36	48
Load Center From Boom Face (in)	24	39700	44200	48800	53400	58000
	36	33300	37100	41000	44800	48600
	48	28700	32000	35300	38600	41900
	60	25200	28100	31000	33900	36800
	72	22400	25000	27600	30200	32800
	84	20200	22600	24900	27200	29600
	96	18400	20600	22700	24800	26900
	108	16900	18900	20800	22800	24700
	120	15600	17400	19200	21000*	21000*
	132	14500	16200	17900	19100*	19100*
	144	13600	15200	16700	17500*	17500*
	156	12700	14200	15700	16200*	16200*
	168	12000	13400	14800	15000*	15000*
180	11300	12700	14000	14000*	14000*	

\* Capacity Controlled by Structural Limitations

		Lift Capacities w/Boom & Forks (lbs)				
		Counter Weight Extension (in)				
		0	12	24	36	48
Load Center From Boom Face (in)	24	38300	42900	47500	52100	56600
	36	32200	36000	39800	43700	47500
	48	27700	31000	34300	37600	40900
	60	24300	27200	30100	33000	35900
	72	21700	24300	26900	29400	32000

\*\*\*All Load Capacities are Rated with the Mast Vertical





# TAYLOR CRANE & RIGGING VERSA-LIFT FORKLIFT PRINT

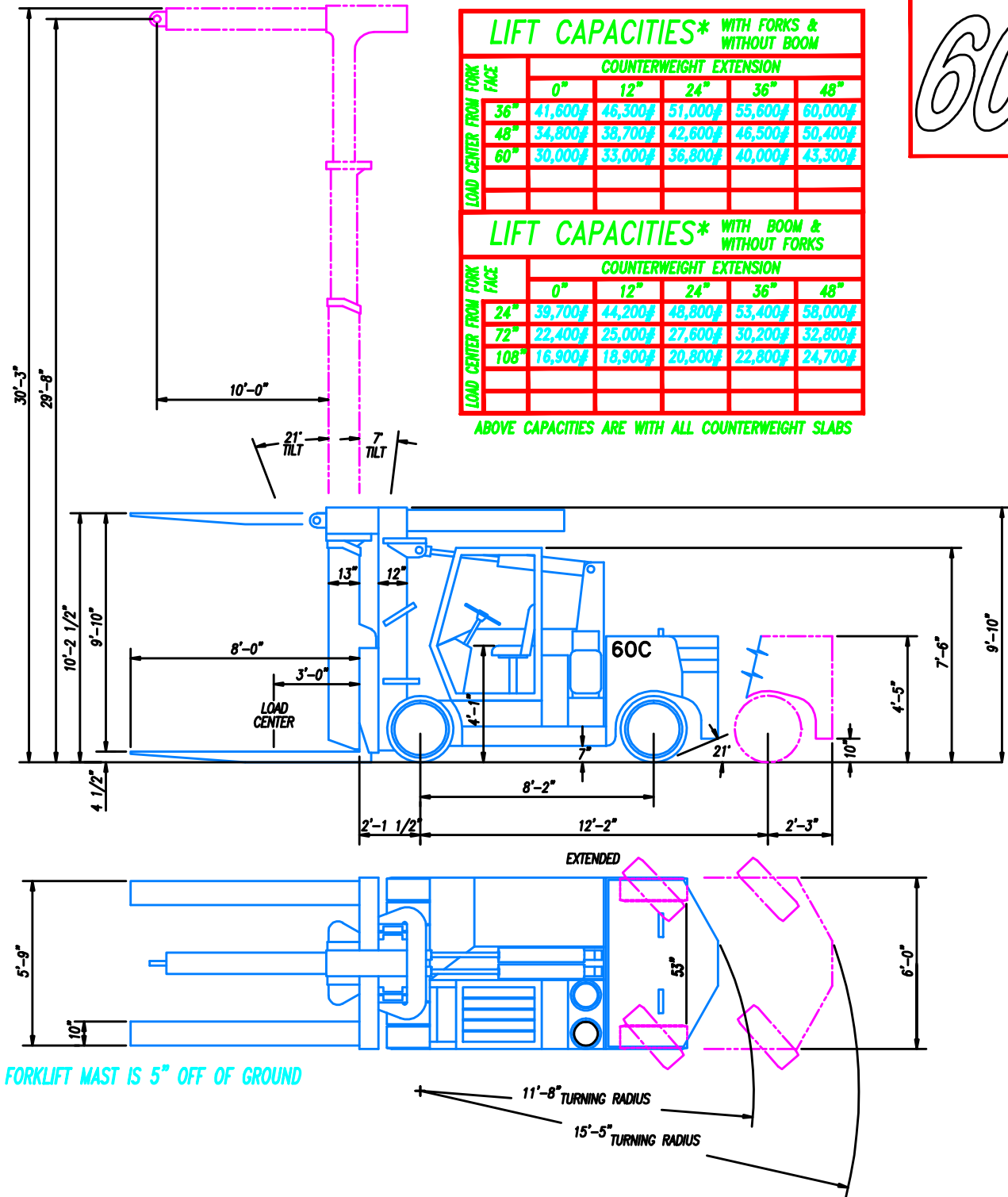
# 60-C

LIFT CAPACITIES* WITH FORKS & WITHOUT BOOM						
LOAD CENTER FROM FORK FACE	COUNTERWEIGHT EXTENSION					
	0"	12"	24"	36"	48"	
36"	41,600#	46,300#	51,000#	55,600#	60,000#	
48"	34,800#	38,700#	42,600#	46,500#	50,400#	
60"	30,000#	33,000#	36,800#	40,000#	43,300#	

LIFT CAPACITIES* WITH BOOM & WITHOUT FORKS						
LOAD CENTER FROM FORK FACE	COUNTERWEIGHT EXTENSION					
	0"	12"	24"	36"	48"	
24"	39,700#	44,200#	48,800#	53,400#	58,000#	
72"	22,400#	25,000#	27,600#	30,200#	32,800#	
108"	16,900#	18,900#	20,800#	22,800#	24,700#	

ABOVE CAPACITIES ARE WITH ALL COUNTERWEIGHT SLABS



FORKLIFT MAST IS 5" OFF OF GROUND

LOWERED HEIGHT @ FORWARD TILT LIMIT IS 8'-10 1/2"

UNIT NO:	60C	ENGINE:	CONTINENTAL TM27	FORKLIFT WEIGHTS WITH COUNTERWEIGHT (LBS.)	
CAP. 3' L/C:	60,000 LBS.	FUEL:	GASOLINE/LP-GAS	WITH BOOM AND FORKS	57,000
MAKE:	VERSA-LIFT	TRANS.:	SUNDSTRAND HYDROSTATIC	WITH FORKS & WITHOUT BOOM	51,500
MODEL:	40/60	DRIVE TIRES:	28X10X22 POLY. DUAL	WITH BOOM & WITHOUT FORKS	54,000
SERIAL NO.:	02456	STEER TIRES:	28X10X22 POLY.	WITHOUT BOOM AND FORKS	48,500
YEAR:	2008	DRIVE AXLE:	ROCKWELL PLANETARY DRIVE	COUNTERWEIGHT WEIGHT	15,000

REVISED BY: RICHARD PUGH

REVISED: 3-13-09

DR. BY: GLEN FLOOD

FILE: FORKLIFT 60C

**WEIGHTS AND FLOOR LOADINGS**

**VERSA-LIFT 40/60 E( F "WITH BOOM AND FORKS**

FRONT TRACK-	52"
REAR TRACK -	62"
OVERALL WIDTH -	72"
WHEELBASE EXTENDS -	98" TO 146"

**WEIGHTS (BOOM AND FORKS INCLUDED)**

		FRAME OUT	FRAME IN
	NO LOAD	(60,000# LOAD)	(40,000# LOAD)
WEIGHT ON DRIVE AXLE -	27,000#	112,000#	92,000#
WEIGHT ON STEER AXLE -	31,000#	6,000#	6,000#
TOTAL WEIGHT -	58,000#	118,000#	98,000#

**FLOOR LOADING WITH POLY TIRES**

	EST. GROUND PRESSURE	EST. FOOTPRINT (per wheel)
FLOOR LOADING - EMPTY	381 psi ON STEER	41.94 square inches each
FLOOR LOADING - LOADED		
60,000# AT 36" LOAD CENTER	643 psi ON DRIVE	87.06 square inches each

## 40/60 C&D Versa-Lift with 0 Counterweight Slabs

Slab Weight (lbs)

**3750**

Number of Slabs

**0**

Standard Wheel Base

**98**

		<b>Lift Capacities w/Forks Only (lbs)</b>				
		Counter Weight Extension (in)				
		0	12	24	36	48
<b>Load Center From Fork Face (in)</b>	36	22100	24400	26800	29100	31400
	48	18500	20500	22400	24300	26300
	60	15900	17600	19200	20900	22600
	72	14000	15400	16900	18300	19800
	84	12400	13700	15000	16300	17600

		<b>Lift Capacities w/Boom Only (lbs)</b>				
		Counter Weight Extension (in)				
		0	12	24	36	48
<b>Load Center From Boom Face (in)</b>	24	20500	22700	25000	27300	29600
	36	17200	19100	21000	22900	24800
	48	14800	16400	18100	19700	21400
	60	13000	14400	15900	17300	18800
	72	11600	12900	14100	15400	16700

		<b>Lift Capacities w/Boom &amp; Forks (lbs)</b>				
		Counter Weight Extension (in)				
		0	12	24	36	48
<b>Load Center From Boom Face (in)</b>	24	19100	21400	23700	25900	28200
	36	16000	18000	19900	21800	23700
	48	13800	15500	17100	18700	20400
	60	12100	13600	15000	16500	17900
	72	10800	12100	13400	14700	16000

*\*\*\*All Load Capacities are Rated with the Mast Vertical*

## 40/60 C&D Versa-Lift with 1 Counterweight Slabs

Slab Weight (lbs)  
**3750**

Number of Slabs  
**1**

Standard Wheel Base  
**98**

		<b>Lift Capacities w/Forks Only (lbs)</b>				
		Counter Weight Extension (in)				
		0	12	24	36	48
<b>Load Center From Fork Face (in)</b>	36	27000	29900	32800	35700	38600
	48	22600	25000	27400	29900	32300
	60	19400	21500	23600	25700	27800
	72	17000	18900	20700	22500	24300
	84	15200	16800	18400	20100	21700

		<b>Lift Capacities w/Boom Only (lbs)</b>				
		Counter Weight Extension (in)				
		0	12	24	36	48
<b>Load Center From Boom Face (in)</b>	24	25300	28100	31000	33800	36700
	36	21200	23600	26000	28400	30800
	48	18300	20300	22400	24400	26500
	60	16000	17800	19600	21500	23300
	72	14300	15900	17500	19100	20700

		<b>Lift Capacities w/Boom &amp; Forks (lbs)</b>				
		Counter Weight Extension (in)				
		0	12	24	36	48
<b>Load Center From Boom Face (in)</b>	24	23900	26800	29600	32500	35300
	36	20100	22500	24900	27200	29600
	48	17300	19300	21400	23500	25500
	60	15200	17000	18800	20600	22400
	72	13500	15100	16800	18400	20000

*\*\*\*All Load Capacities are Rated with the Mast Vertical*

## 40/60 C&D Versa-Lift with 2 Counterweight Slabs

Slab Weight (lbs)  
3750

Number of Slabs  
2

Standard Wheel Base  
98

		<b>Lift Capacities w/Forks Only (lbs)</b>				
		Counter Weight Extension (in)				
		0	12	24	36	48
<b>Load Center From Fork Face (in)</b>	36	31900	35400	38900	42300	45800
	48	26700	29600	32500	35400	38300
	60	22900	25400	27900	30500	33000
	72	20100	22300	24500	26700	28900
	84	17900	19900	21800	23800	25700

		<b>Lift Capacities w/Boom Only (lbs)</b>				
		Counter Weight Extension (in)				
		0	12	24	36	48
<b>Load Center From Boom Face (in)</b>	24	30100	33500	36900	40300	43800
	36	25200	28100	31000	33800	36700
	48	21700	24200	26700	29100	31600
	60	19100	21200	23400	25600	27800
	72	17000	18900	20900	22800	24800

		<b>Lift Capacities w/Boom &amp; Forks (lbs)</b>				
		Counter Weight Extension (in)				
		0	12	24	36	48
<b>Load Center From Boom Face (in)</b>	24	28700	32200	35600	39000	42400
	36	24100	27000	29800	32700	35600
	48	20800	23200	25700	28200	30700
	60	18200	20400	22600	24700	26900
	72	16200	18200	20100	22100	24000

*\*\*\*All Load Capacities are Rated with the Mast Vertical*

## 40/60 C&D Versa-Lift with 3 Counterweight Slabs

Slab Weight (lbs)  
3750

Number of Slabs  
3

Standard Wheel Base  
98

		<b>Lift Capacities w/Forks Only (lbs)</b>				
		Counter Weight Extension (in)				
		0	12	24	36	48
<b>Load Center From Fork Face (in)</b>	36	36800	40800	44900	49000	53000
	48	30800	34200	37600	41000	44400
	60	26400	29400	32300	35200	38100
	72	23200	25800	28300	30900	33500
	84	20700	22900	25200	27500	29800

		<b>Lift Capacities w/Boom Only (lbs)</b>				
		Counter Weight Extension (in)				
		0	12	24	36	48
<b>Load Center From Boom Face (in)</b>	24	34900	38900	42900	46900	50900
	36	29200	32600	36000	39300	42700
	48	25200	28100	31000	33900	36800
	60	22100	24700	27200	29700	32300
	72	19700	22000	24200	26500	28800

		<b>Lift Capacities w/Boom &amp; Forks (lbs)</b>				
		Counter Weight Extension (in)				
		0	12	24	36	48
<b>Load Center From Boom Face (in)</b>	24	33500	37500	41500	45500	49500
	36	28100	31500	34800	38200	41600
	48	24200	27100	30000	32900	35800
	60	21300	23800	26400	28900	31400
	72	19000	21200	23500	25800	28000

\*\*\*All Load Capacities are Rated with the Mast Vertical

## 40/60 C&D Versa-Lift with 4 Counterweight Slabs

Slab Weight (lbs)  
3750

Number of Slabs  
4

Standard Wheel Base  
98

		<b>Lift Capacities w/Forks Only (lbs)</b>				
		Counter Weight Extension (in)				
		0	12	24	36	48
<b>Load Center From Fork Face (in)</b>	36	41600	46300	51000	55600	60300
	48	34800	38700	42600	46500	50400
	60	30000	33300	36600	40000	43300
	72	26300	29200	32100	35100	38000
	84	23400	26000	28600	31200	33800

		<b>Lift Capacities w/Boom Only (lbs)</b>				
		Counter Weight Extension (in)				
		0	12	24	36	48
<b>Load Center From Boom Face (in)</b>	24	39700	44200	48800	53400	58000
	36	33300	37100	41000	44800	48600
	48	28700	32000	35300	38600	41900
	60	25200	28100	31000	33900	36800
	72	22400	25000	27600	30200	32800

		<b>Lift Capacities w/Boom &amp; Forks (lbs)</b>				
		Counter Weight Extension (in)				
		0	12	24	36	48
<b>Load Center From Boom Face (in)</b>	24	38300	42900	47500	52100	56600
	36	32200	36000	39800	43700	47500
	48	27700	31000	34300	37600	40900
	60	24300	27200	30100	33000	35900
	72	21700	24300	26900	29400	32000

\*\*\*All Load Capacities are Rated with the Mast Vertical

# LONG BOOM INSERT LOAD CHART

## 40/60 Versa-Lift with 4 Counterweight Slabs

With 30358 Long Horz. Boom & 31022 Insert

Slab Weight (lbs)  
3750

Number of Slabs  
4

Standard Wheel Base  
98

		Lift Capacities w/Forks Only (lbs)				
		Counter Weight Extension (in)				
		0	12	24	36	48
Load Center From Fork Face (in)	36	41600	46300	51000	55600	60300
	48	34800	38700	42600	46500	50400
	60	30000	33300	36600	40000	43300
	72	26300	29200	32100	35100	38000
	84	23400	26000	28600	31200	33800

		Lift Capacities w/Boom Only (lbs)				
		Counter Weight Extension (in)				
		0	12	24	36	48
Load Center From Boom Face (in)	24	39700	44200	48800	53400	58000
	36	33300	37100	41000	44800	48600
	48	28700	32000	35300	38600	41900
	60	25200	28100	31000	33900	36800
	72	22400	25000	27600	30200	32800
	84	20200	22600	24900	27200	29600
	96	18400	20600	22700	24800	26900
	108	16900	18900	20800	22800	24700
	120	15600	17400	19200	21000*	21000*
	132	14500	16200	17900	19100*	19100*
	144	13600	15200	16700	17500*	17500*
	156	12700	14200	15700	16200*	16200*
	168	12000	13400	14800	15000*	15000*
180	11300	12700	14000	14000*	14000*	

\* Capacity Controlled by Structural Limitations

		Lift Capacities w/Boom & Forks (lbs)				
		Counter Weight Extension (in)				
		0	12	24	36	48
Load Center From Boom Face (in)	24	38300	42900	47500	52100	56600
	36	32200	36000	39800	43700	47500
	48	27700	31000	34300	37600	40900
	60	24300	27200	30100	33000	35900
	72	21700	24300	26900	29400	32000

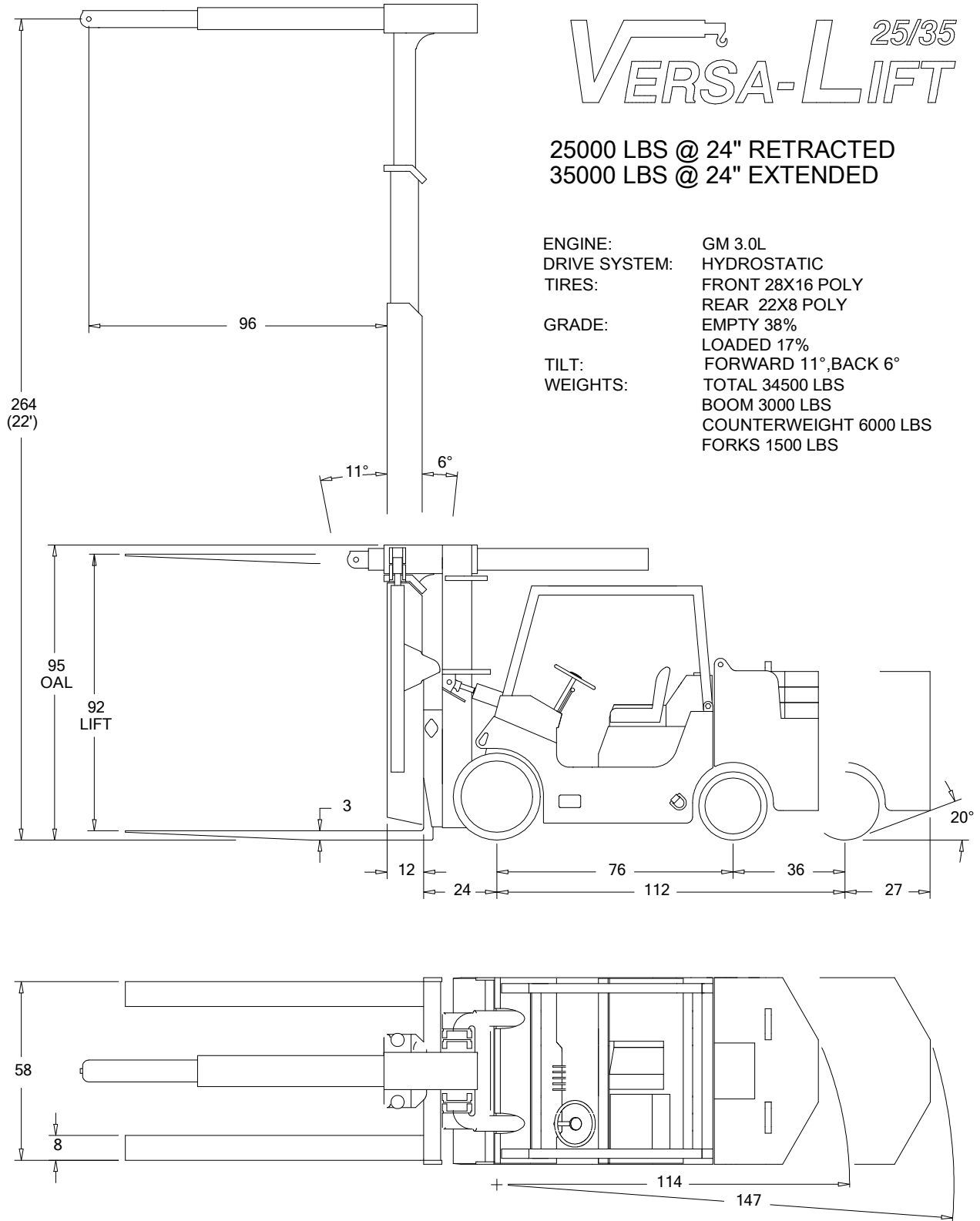
\*\*\*All Load Capacities are Rated with the Mast Vertical



# VERSA-LIFT <sup>25/35</sup>

25000 LBS @ 24" RETRACTED  
35000 LBS @ 24" EXTENDED

ENGINE: GM 3.0L  
 DRIVE SYSTEM: HYDROSTATIC  
 TIRES: FRONT 28X16 POLY  
 REAR 22X8 POLY  
 GRADE: EMPTY 38%  
 LOADED 17%  
 TILT: FORWARD 11°, BACK 6°  
 WEIGHTS: TOTAL 34500 LBS  
 BOOM 3000 LBS  
 COUNTERWEIGHT 6000 LBS  
 FORKS 1500 LBS



**CUSTOM MOBILE EQUIPMENT, INC.**

439 EAST HIGH STREET, BALDWIN CITY, KS 66006

(785) 594-7474 FAX (785) 594-7475

## WEIGHTS AND FLOOR LOADINGS

### VERSA-LIFT 25/35 WITH BOOM AND FORKS

FRONT TRACK-	44"
REAR TRACK -	52"
OVERALL WIDTH -	60"
WHEELBASE EXTENDS -	76" TO 112"

### WEIGHTS (BOOM AND FORKS INCLUDED)

		FRAME OUT	FRAME IN
	NO LOAD	(35,000# LOAD)	(25,000# LOAD)
WEIGHT ON DRIVE AXLE -	17,000#	66,400#	56,400#
WEIGHT ON STEER AXLE -	18,000#	3,600#	3,600#
TOTAL WEIGHT -	35,000#	70,000#	60,000#

### FLOOR LOADING WITH POLY TIRES

	EST. GROUND PRESSURE	EST. FOOTPRINT (per wheel)
FLOOR LOADING - EMPTY	268 psi ON STEER	33.5 square inches each
FLOOR LOADING - LOADED		
(35,000# AT 24" LOAD CENTER)	495 psi ON DRIVE	67.0 square inches each

## 25/35 Versa-Lift with 0 Counterweight Slabs

Slab Weight (lbs)  
**1900**

Number of Slabs  
**0**

Standard Wheel Base (in)  
**76**

<b>Lift Capacities w/Forks Only (lbs)</b>					
		Counterweight Extension (in)			
		0	12	24	36
<b>Load Center From Fork Face (in)</b>	24	16300	18900	21400	24000
	36	13000	15100	17100	19200
	48	10800	12500	14200	16000
	60	9300	10700	12200	13700
	72	8100	9400	10700	11900
	84	7200	8300	9500	10600

<b>Lift Capacities w/Boom Only (lbs)</b>					
		Counterweight Extension (in)			
		0	12	24	36
<b>Load Center From Boom Face (in)</b>	12	15500	18100	20700	23200
	24	12400	14400	16500	18500
	36	10300	12000	13700	15400
	48	8800	10300	11800	13200
	60	7700	9000	10300	11600
	72	6900	8000	9100	10300
	84	6200	7200	8200	9200
	96	5600	6500	7500	8400

<b>Lift Capacities w/Forks &amp; Boom (lbs)</b>					
		Counterweight Extension (in)			
		0	12	24	36
<b>Load Center From Boom Face (in)</b>	24	11400	13500	15500	17600
	36	9500	11200	12900	14600
	48	8100	9600	11100	12500
	60	7100	8400	9700	11000
	72	6300	7500	8600	9700
	84	5700	6700	7700	8800
	96	5200	6100	7000	8000

*\*\*\*All Load Capacities are rated with the mast vertical.*

## 25/35 Versa-Lift with 1 Counterweight Slabs

Slab Weight (lbs)  
**1900**

Number of Slabs  
**1**

Standard Wheel Base (in)  
**76**

<b>Lift Capacities w/Forks Only (lbs)</b>					
		Counterweight Extension (in)			
		0	12	24	36
		<b>Load Center From Fork Face (in)</b>	24	19000	22000
36	15100		17500	19900	22300
48	12600		14600	16600	18600
60	10800		12500	14200	15900
72	9400		10900	12400	13900
84	8400		9700	11000	12400

<b>Lift Capacities w/Boom Only (lbs)</b>					
		Counterweight Extension (in)			
		0	12	24	36
		<b>Load Center From Boom Face (in)</b>	12	18200	21200
24	14500		16900	19300	21700
36	12100		14100	16100	18100
48	10300		12000	13800	15500
60	9000		10500	12000	13500
72	8000		9400	10700	12000
84	7200		8400	9600	10800
96	6600		7700	8700	9800

<b>Lift Capacities w/Forks &amp; Boom (lbs)</b>					
		Counterweight Extension (in)			
		0	12	24	36
		<b>Load Center From Boom Face (in)</b>	24	13600	15900
36	11300		13300	15300	17200
48	9700		11400	13100	14800
60	8400		9900	11400	12900
72	7500		8800	10100	11500
84	6700		7900	9100	10300
96	6100		7200	8300	9400

\*\*\*All Load Capacities are rated with the mast vertical.

## 25/35 Versa-Lift with 2 Counterweight Slabs

Slab Weight (lbs)  
**1900**

Number of Slabs  
**2**

Standard Wheel Base (in)  
**76**

<b>Lift Capacities w/Forks Only (lbs)</b>					
		<b>Counterweight Extension (in)</b>			
		0	12	24	36
<b>Load Center From Fork Face (in)</b>	24	21600	25100	28500	31900
	36	17300	20000	22700	25500
	48	14400	16600	18900	21200
	60	12300	14300	16200	18100
	72	10800	12500	14200	15900
	84	9600	11100	12600	14100

<b>Lift Capacities w/Boom Only (lbs)</b>					
		<b>Counterweight Extension (in)</b>			
		0	12	24	36
<b>Load Center From Boom Face (in)</b>	12	20900	24300	27700	31100
	24	16700	19400	22100	24800
	36	13900	16100	18400	20700
	48	11900	13800	15800	17700
	60	10400	12100	13800	15500
	72	9200	10700	12200	13700
	84	8300	9700	11000	12400
	96	7500	8800	10000	11200

<b>Lift Capacities w/Forks &amp; Boom (lbs)</b>					
		<b>Counterweight Extension (in)</b>			
		0	12	24	36
<b>Load Center From Boom Face (in)</b>	24	15700	18400	21100	23900
	36	13100	15300	17600	19900
	48	11200	13100	15100	17000
	60	9800	11500	13200	14900
	72	8700	10200	11700	13200
	84	7800	9200	10500	11900
	96	7100	8300	9600	10800

\*\*\*All Load Capacities are rated with the mast vertical.

## 25/35 Versa-Lift with 3 Counterweight Slabs

Slab Weight (lbs)  
**1900**

Number of Slabs  
**3**

Standard Wheel Base (in)  
**76**

<b>Lift Capacities w/Forks Only (lbs)</b>					
		<b>Counterweight Extension (in)</b>			
		0	12	24	36
		<b>Load Center From Fork Face (in)</b>	24	24300	28200
36	19400		22500	25500	28600
48	16200		18700	21300	23800
60	13800		16000	18200	20400
72	12100		14000	15900	17800
84	10700		12400	14100	15800

<b>Lift Capacities w/Boom Only (lbs)</b>					
		<b>Counterweight Extension (in)</b>			
		0	12	24	36
		<b>Load Center From Boom Face (in)</b>	12	23500	27400
24	18800		21900	24900	28000
36	15600		18200	20700	23300
48	13400		15600	17800	19900
60	11700		13600	15500	17400
72	10400		12100	13800	15500
84	9400		10900	12400	13900
96	8500		9900	11300	12700

<b>Lift Capacities w/Forks &amp; Boom (lbs)</b>					
		<b>Counterweight Extension (in)</b>			
		0	12	24	36
		<b>Load Center From Boom Face (in)</b>	24	17800	20900
36	14800		17400	19900	22500
48	12700		14900	17100	19300
60	11100		13000	14900	16800
72	9900		11600	13300	15000
84	8900		10400	11900	13500
96	8100		9500	10800	12200

*\*\*\*All Load Capacities are rated with the mast vertical.*



# 25/35 CE A&B Versa-Lift

Long Horizontal 31436

**Slab Weight (lb)**

1900

**Number of Slabs**

3

**Standard Wheel Base (in)**

76

<b>Load Center From Boom Face (in)</b>	<b>Lift Capacity With Boom Only (lb)</b>	<b>Counterweight Extension (in)</b>
178.5	3360	0
172.5	3470	0
166.5	3600	0
160.5	3730	0
154.5	3870	0
148.5	4020	0
142.5	4190	0
136.5	4370	0
130.5	4570	0
124.5	4790	0
118.5	5030	0
112.5	5280	0
106.5	5570	0
100.5	5900	0





## Model 25/35E

### Not your typical electric forklift:

- hydrostatic drive like all our Versa-Lift models for precisely controlled movements
- onboard charger so that your E can be charged in the field
- 80-volt AC motor
- available with all the options like remote controls
- all the power and capability as our internal combustion powered Versa-Lifts

This electric will help your company secure more work, especially in the food and electronics industries.

Battery powered model for any company that is looking into the future. We are actually there now, with most industrial plants preferring electric fork lifts. The 25/35E has a hydrostatic transmission just like our internal combustion models and can climb the same slopes. **This is the ultimate rigging machine!**

### Features

- 80 Volt AC Motor
- 2 Speed Hydrostatic Transmission
- Front 28 x 16 poly tires
- Rear 22 x 8 poly tires
- 38% Grade empty
- 17% Grade loaded

### Weights

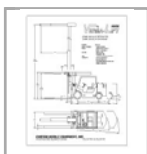
Gross	34,500 lbs
Removable Counterweight	4,000 lbs
Boom	3,000 lbs
Forks	1,500 lbs

### Lift Capacities

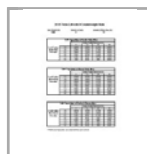
Attachments (Load Center)		Counterweight Extension				
		0"	12"	24"	36"	48"
<b>Forks Only</b> (Distance from fork face)	24"	24,300	28,200	32,000	35,800	
	36"	19,400	22,500	25,500	28,600	
	48"	16,200	18,700	21,300	23,800	
<b>Boom Only</b> (Distance from boom face)	12"	23,500	27,400	31,200	35,100	
	60"	11,700	13,600	15,500	17,400	
	96"	8,500	9,900	11,300	12,700	

### Downloads

[Specifications \(75 kB pdf\)](#)



[Lift Capacities \(14 kB pdf\)](#)



[Model 25/35](#) | [Model 40/60](#) | [Model 60/80](#) | [Model 100/140](#) • [Model 25/35E](#) | [Model 40/60E](#)

439 E High Street, Baldwin City, KS 66006 | 785-594-7475



10-31-2011

WHEEL LOADING ON TAYLOR CRANE VERSA-LIFTS

BILL SHENK

VERSA-LIFT	MAX STEER LOAD	MAX DRIVE LOAD	STEER FOOT-PRINT	DRIVE FOOT-PRINT	GROUND PRESSURE ON STEER	GROUND PRESSURE ON DRIVE
100/140	64,400#	245,000#	80.90 sq.in./wheel	283.97 sq.in./wheel	398 psi	390 psi
60/80	40,000#	151,000#	50.79 sq.in./wheel	100.02 sq.in./wheel	370 psi	754psi
40/60	31,000#	112,000#	41.94 sq.in./wheel	87.06 sq.in./wheel	381 psi	643 psi
25/35	18,000#	66,400#	33.5 sq.in./wheel	67 sq.in./wheel	268 psi	495 psi